

# General Specifications

GS 62A DUAL-01E-A

## DUAL-VUE

Switchboard meters from YOKOGAWA.

- Features analog and digital display to provide the ultimate in readability of power and control parameters.
- A drop-in replacement for upgrade of existing control and switchgear panels.
- Rugged switchboard style case and IP54 rated cover.
- Choice of high-intensity LED digital displays with high reliability analog movements.
- Standard models for AC or DC voltage and current, with custom scales and legends available as options.

### DUAL-VUE switchboard meter specifications:

#### General Description

**DUAL-VUE** switchboard meters are combination Digital/Analog indicating instruments. They can be configured to accept ACV, ACA, DCV, or DCA input. Both the digital and analog displays can be modified to represent virtually any scaling or engineering units as required. The unit is contained in a 4 1/4" Switchboard housing. It utilizes a taut band moving element and a 0.56", 3 1/2 digit display for indication (+ or - 1999 counts).

#### Electrical Specifications

##### Input Ratings:

**DCV** – Standard inputs are 0-50mV, 100mV, 200mV, 10V, 100V, 150V, 300V, 600V, +/-50mV, +/-100mV, +/-200mV, +/-10V, +/-100V, +/-150V, +/-300V, +/-600V Input impedance = 1MΩ

**DCA** – Standard inputs are 0-200uA, 500uA, 1mA, 10mA, 100mA, 500mA, 1A, +/- 200uA, +/-500uA, +/-1mA, +/-10mA, +/-100mA, +/-500mA, +/-1A, 1-5mA, 4-20mA, 10-50mA Voltage Drop < 210mV (inputs < 500mA), < 510mV (inputs = 500mA)

**ACV** – Standard inputs are 0-150V, 250V, 300V, 600V Input impedance = 1MΩ Input Frequencies 45Hz to 65Hz

**ACA** – Standard inputs are 0-1A, 0-5A (Transformer coupled) Input Frequencies 45Hz to 65Hz Other ratings are possible. Contact Yokogawa for special ratings.

**Scaling:** Scaling options are limited only in that there can be no offset zero scaling for the digital display.

##### Overload:

Voltage Inputs: x 1.2 continuous or 700V max;  
x 1.5 for 10 seconds  
DC Current: x 1.2 continuous; x 1.5 for 10 seconds  
AC Current: x 2 continuous; x 5 for 10 seconds



##### Burden:

ACV < 0.5VA @ 600VAC  
ACA < 0.2VA @ 5AAC  
DCV < 0.5W @ 600VDC  
DCA < 0.5W @ 1ADC

##### Isolation Test Voltage:

2KV for 60 seconds aux. power to input, aux. power to case, input to case.

##### Power Supply

**Voltage:** 120V +/-15% standard ; optional 240V +/-15%, 125VDC±15VDC, 24VDC±6VDC, 48VDC±12VDC  
**Frequency:** 50/60Hz +/- 2Hz (48Hz to 62Hz) Burden: < 3.5VA

##### Display

**Analog:** Taut-band, silicon-damped moving element. 220° Deflection. 6.35" total scale length. White scale with black markings & black pointer (standard). Response time less than 2.5 seconds (0-90%). Optional features include alternate black scale plates, custom logos, colored lines or segments or scale, white or Day-glo orange pointer. Center & Offset zero are available. The Analog display may be scaled to any scaling ratio or to represent any engineering units as required. No external zero regulator. Mechanical zero adjust with special tool. Electrical zero & FS adjust.

**Digital:** 3 1/2 digit, 7 segment display 0.56" (14.2mm) digit height. Red, blue or green LED. Negative Polarity indicator. Selectable decimal point settings. Update rate is 2.5 times/second. Response time less than 1 second (0-90%)

##### Accuracy

Reference conditions 25°C

**Analog:** +/-1% of full scale deflection

**Digital:** AC +/-0.1% of reading +/-3 counts. DC +/- 2 counts

##### Temperature Coefficient:

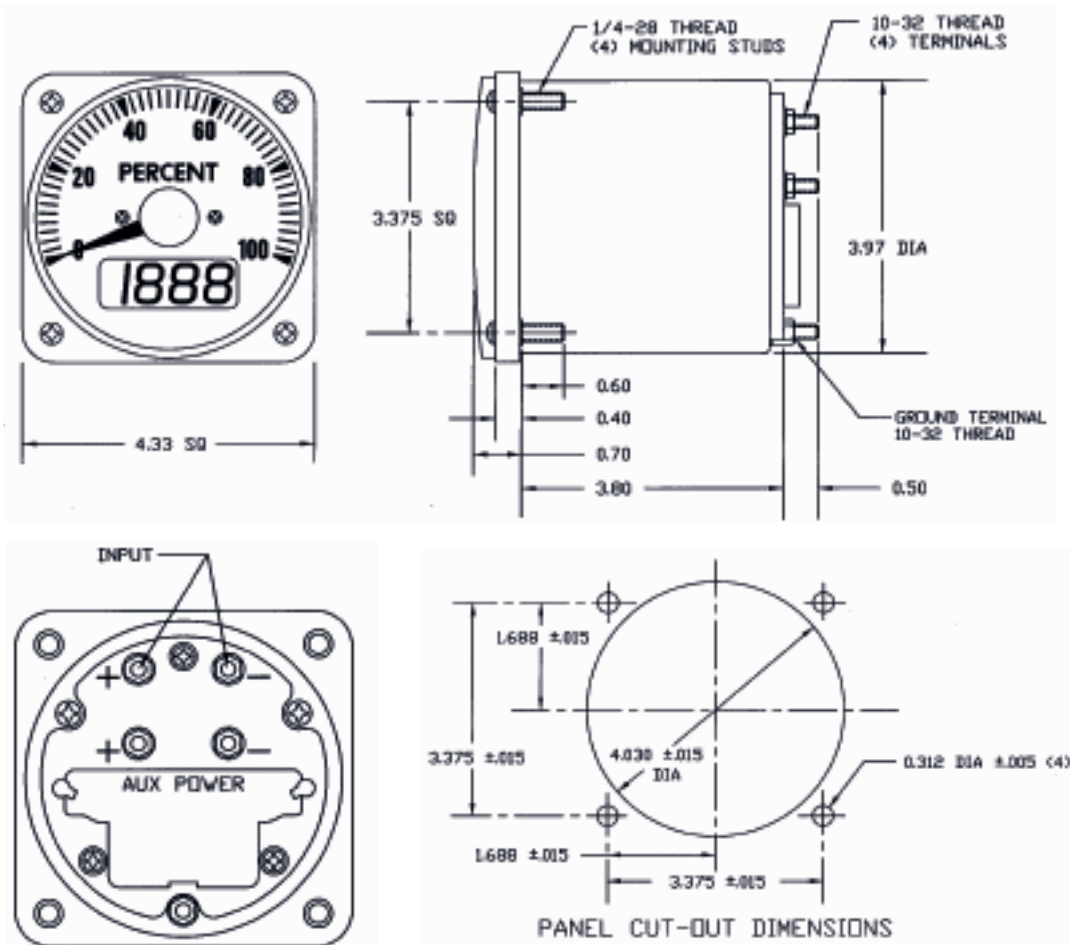
200ppm/°C of full scale for digital display. Less than 1% additional analog display error over operating temperature range.

**Long Term Stability:** +/-2 counts (digital), +/-0.8% (analog)

**Warm Up time:** 10 minutes

## Mechanical Specifications

**Enclosure:** DB-40 "Short" Case; cold rolled steel with protective coating



Cover:	Polycarbonate UL94V0 rated cover and window
Terminal Plate:	Phenol Resin
Mounting Studs:	1/4" x 28 Thread
Terminal studs:	10-32 Studs, 0.50" long
Enclosure Rating:	IP54 (Dust Proof/Splash Proof)
Weight:	<2.5 lbs (1134g) including all mounting and connection hardware.

## Environmental Specifications

Operating Temperature:	0°C to 60°C
Storage Temperature:	-20°C to 70°C
Humidity:	90% non-condensing relative humidity @ 40°C
Isolation Voltage	2kV for 1 minute between input and case, input and Aux Power, Aux Power and case
Vibration:	8-42Hz, 0.1 to 2 Gs, in 3 axis
Shock:	50 G's @ 7 ms for 10 shocks, in 3 axis
Calibration:	Recommended calibration interval is 2 years.

## Agency Approvals

Safety:	UL 61010-1 (AC Auxiliary Power Units Only)
---------	--

## Standard model ordering information

### DC VOLTMETERS AND AMMETERS white scale with black markings + pointer, specify auxiliary power code.

Input	Rating/scale	Red LED Model#	Green LED Model#	Blue LED Model#
<b>DCV</b>	0-50mV	123011ABAB <input type="checkbox"/>	124011ABAB <input type="checkbox"/>	125011ABAB <input type="checkbox"/>
	0-100mV	123011AEAE <input type="checkbox"/>	124011AEAE <input type="checkbox"/>	125011AEAE <input type="checkbox"/>
	0-200mV	123011 AHAH <input type="checkbox"/>	124011 AHAH <input type="checkbox"/>	125011 AHAH <input type="checkbox"/>
	50-0-50mV	123012 ABAB <input type="checkbox"/>	124012 ABAB <input type="checkbox"/>	125012 ABAB <input type="checkbox"/>
	100-0-100mV	123012AEAE <input type="checkbox"/>	124012AEAE <input type="checkbox"/>	125012AEAE <input type="checkbox"/>
	200-0-200mV	123012AHAH <input type="checkbox"/>	124012AHAH <input type="checkbox"/>	125012AHAH <input type="checkbox"/>
	0-10V	123011MTMT <input type="checkbox"/>	124011MTMT <input type="checkbox"/>	125011MTMT <input type="checkbox"/>
	0-100V	123011PKPK <input type="checkbox"/>	124011PKPK <input type="checkbox"/>	125011PKPK <input type="checkbox"/>
	0-150V	123011PZPZ <input type="checkbox"/>	124011PZPZ <input type="checkbox"/>	125011PZPZ <input type="checkbox"/>
	0-300V	123011RXRX <input type="checkbox"/>	124011RXRX <input type="checkbox"/>	125011RXRX <input type="checkbox"/>
	0-600V	123011SJSJ <input type="checkbox"/>	124011SJSJ <input type="checkbox"/>	125011SJSJ <input type="checkbox"/>
	10-0-10V	123012MTMT <input type="checkbox"/>	124012MTMT <input type="checkbox"/>	125012MTMT <input type="checkbox"/>
	100-0-100V	123012PKPK <input type="checkbox"/>	124012PKPK <input type="checkbox"/>	125012PKPK <input type="checkbox"/>
	150-0-150V	123012PZPZ <input type="checkbox"/>	124012PZPZ <input type="checkbox"/>	125012PZPZ <input type="checkbox"/>
	300-0-300V	123012RXRX <input type="checkbox"/>	124012RXRX <input type="checkbox"/>	125012RXRX <input type="checkbox"/>
	600-0-600V	123012SJSJ <input type="checkbox"/>	124012SJSJ <input type="checkbox"/>	125012SJSJ <input type="checkbox"/>
	<b>DCA</b>	0-200uA	123111EAEA <input type="checkbox"/>	124111EAEA <input type="checkbox"/>
0-500uA		123111EMEM <input type="checkbox"/>	124111EMEM <input type="checkbox"/>	125111EMEM <input type="checkbox"/>
200-0-200uA		123112EAEA <input type="checkbox"/>	124112EAEA <input type="checkbox"/>	125112EAEA <input type="checkbox"/>
500-0-500uA		123112EMEM <input type="checkbox"/>	124112EMEM <input type="checkbox"/>	125112EMEM <input type="checkbox"/>
0-1mA		123111FAFA <input type="checkbox"/>	124111FAFA <input type="checkbox"/>	125111FAFA <input type="checkbox"/>
0-10mA		123111GZGZ <input type="checkbox"/>	124111GZGZ <input type="checkbox"/>	125111GZGZ <input type="checkbox"/>
0-100mA		123111JRJR <input type="checkbox"/>	124111JRJR <input type="checkbox"/>	125111JRJR <input type="checkbox"/>
0-500mA		123111KMKM <input type="checkbox"/>	124111KMKM <input type="checkbox"/>	125111KMKM <input type="checkbox"/>
0-1A		123111LALA <input type="checkbox"/>	124111LALA <input type="checkbox"/>	125111LALA <input type="checkbox"/>
1-0-1mA		123112FAFA <input type="checkbox"/>	124112FAFA <input type="checkbox"/>	125112FAFA <input type="checkbox"/>
10-0-10mA		123112GZGZ <input type="checkbox"/>	124112GZGZ <input type="checkbox"/>	125112GZGZ <input type="checkbox"/>
100-0-100mA		123112JRJR <input type="checkbox"/>	124112JRJR <input type="checkbox"/>	125112JRJR <input type="checkbox"/>
500-0-500mA		123112KMKM <input type="checkbox"/>	124112KMKM <input type="checkbox"/>	125112KMKM <input type="checkbox"/>
1-0-1A		123112LALA <input type="checkbox"/>	124112LALA <input type="checkbox"/>	125112LALA <input type="checkbox"/>
1-5mA		123191FYFY <input type="checkbox"/>	124191FYFY <input type="checkbox"/>	125191FYFY <input type="checkbox"/>
4-20mA		123191HEHE <input type="checkbox"/>	124191HEHE <input type="checkbox"/>	125191HEHE <input type="checkbox"/>
10-50mA		123191HXHX <input type="checkbox"/>	124191HXHX <input type="checkbox"/>	125191HXHX <input type="checkbox"/>

#### Notes:

Replace  with the appropriate power supply code: 1=120VAC  
 2= 240VAC  
 3= 125VDC  
 4= 24VDC  
 5= 48VDC

1) For non-standard inputs and scales(or aux. power) select the closest rated input model from above and specify per example. **“Similar to model 123191HEHE  except...”**

**Input signal:** 4-12-20mA dc

**Analog scale:** -1900-0-+1900 Scale color: white, letters + numerals: black, pointer: black

**Analog legend:** DC Amperes

**Digital scale:** +/-1900

**Digital sub-legend:** only required when digital scale is different value from analog.

**Auxiliary power:** 120VAC is standard: 240VAC, 24VDC, 48VDC, and 125VAC are optional.

2) Non-standard models will be assigned a special 3 letter suffix at Yokogawa (ex: 123191HEHE/xxx)

### AC VOLTMETERS AND AMMETERS

white scale with black markings and pointer, specify auxiliary power code.

Input	Rating/scale	Red LED Model#	Green LED Model#	Blue LED Model#
<b>ACV</b>	0-150V	123021PZPZ <input type="checkbox"/>	124021PZPZ <input type="checkbox"/>	125021PZPZ <input type="checkbox"/>
	0-250V	123021RSRS <input type="checkbox"/>	124021RSRS <input type="checkbox"/>	125021RSRS <input type="checkbox"/>
	0-300V	123021RXRX <input type="checkbox"/>	124021RXRX <input type="checkbox"/>	125021RXRX <input type="checkbox"/>
	0-600V	123021SJSJ <input type="checkbox"/>	124021SJSJ <input type="checkbox"/>	125021SJSJ <input type="checkbox"/>
<b>Transformer Rated (150V)</b>	0-150V/0-250V	123021PZRS <input type="checkbox"/>	124021PZRS <input type="checkbox"/>	125021PZRS <input type="checkbox"/>
	0-150V/0-300V	123021PZRX <input type="checkbox"/>	124021PZRX <input type="checkbox"/>	125021PZRX <input type="checkbox"/>
	0-150V/0-500V	123021PZSF <input type="checkbox"/>	124021PZSF <input type="checkbox"/>	125021PZSF <input type="checkbox"/>
	0-150V/0-600V	123021PZSJ <input type="checkbox"/>	124021PZSJ <input type="checkbox"/>	125021PZSJ <input type="checkbox"/>
	0-150V/0-750V	123021PZSM <input type="checkbox"/>	124021PZSM <input type="checkbox"/>	125021PZSM <input type="checkbox"/>
	0-150V/0-1500V	123021PZTC <input type="checkbox"/>	124021PZTC <input type="checkbox"/>	125021PZTC <input type="checkbox"/>
	0-150V/0-3.00kV	123021PZVJ <input type="checkbox"/>	124021PZVJ <input type="checkbox"/>	125021PZVJ <input type="checkbox"/>
	0-150V/0-5.00kV	123021PZVT <input type="checkbox"/>	124021PZVT <input type="checkbox"/>	125021PZVT <input type="checkbox"/>
	0-150V/0-5.25kV	123021PZVV <input type="checkbox"/>	124021PZVV <input type="checkbox"/>	125021PZVV <input type="checkbox"/>
	0-150V/0-6.00kV	123021PZVX <input type="checkbox"/>	124021PZVX <input type="checkbox"/>	125021PZVX <input type="checkbox"/>
	0-150V/0-9.00kV	123021PZWJ <input type="checkbox"/>	124021PZWJ <input type="checkbox"/>	125021PZWJ <input type="checkbox"/>
	0-150V/0-15.00kV	123021PZWZ <input type="checkbox"/>	124021PZWZ <input type="checkbox"/>	125021PZWZ <input type="checkbox"/>
	0-150V/0-18.00kV	123021PZXE <input type="checkbox"/>	124021PZXE <input type="checkbox"/>	125021PZXE <input type="checkbox"/>
	0-150V/0-45.0kV	123021PZXU <input type="checkbox"/>	124021PZXU <input type="checkbox"/>	125021PZXU <input type="checkbox"/>
	0-150V/0-150.0kV	123021PZYR <input type="checkbox"/>	124021PZYR <input type="checkbox"/>	125021PZYR <input type="checkbox"/>
	0-150V/0-200kV	123021PZYU <input type="checkbox"/>	124021PZYU <input type="checkbox"/>	125021PZYU <input type="checkbox"/>
0-250V/0-600V	123021RSSJ <input type="checkbox"/>	124021RSSJ <input type="checkbox"/>	125021RSSJ <input type="checkbox"/>	
<b>ACA</b>	0-1A	123131LALA <input type="checkbox"/>	124131LALA <input type="checkbox"/>	125131LALA <input type="checkbox"/>
	0-5A	123131LSLS <input type="checkbox"/>	124131LSLS <input type="checkbox"/>	125131LSLS <input type="checkbox"/>
<b>Transformer Rated (5A)</b>	0-5A/0-10.00A	123131LSMT <input type="checkbox"/>	124131LSMT <input type="checkbox"/>	125131LSMT <input type="checkbox"/>
	0-5A/0-15.00A	123131LSND <input type="checkbox"/>	124131LSND <input type="checkbox"/>	125131LSND <input type="checkbox"/>
	0-5A/0-20.0A	123131LSNG <input type="checkbox"/>	124131LSNG <input type="checkbox"/>	125131LSNG <input type="checkbox"/>
	0-5A/0-25.0A	123131LSNJ <input type="checkbox"/>	124131LSNJ <input type="checkbox"/>	125131LSNJ <input type="checkbox"/>
	0-5A/0-30.0A	123131LSNL <input type="checkbox"/>	124131LSNL <input type="checkbox"/>	125131LSNL <input type="checkbox"/>
	0-5A/0-40.0A	123131LSNP <input type="checkbox"/>	124131LSNP <input type="checkbox"/>	125131LSNP <input type="checkbox"/>
	0-5A/0-50.0A	123131LSNT <input type="checkbox"/>	124131LSNT <input type="checkbox"/>	125131LSNT <input type="checkbox"/>
	0-5A/0-75.0A	123131LSPB <input type="checkbox"/>	124131LSPB <input type="checkbox"/>	125131LSPB <input type="checkbox"/>
	0-5A/0-100.0A	123131LSPK <input type="checkbox"/>	124131LSPK <input type="checkbox"/>	125131LSPK <input type="checkbox"/>
	0-5A/0-150.0A	123131LSPZ <input type="checkbox"/>	124131LSPZ <input type="checkbox"/>	125131LSPZ <input type="checkbox"/>
	0-5A/0-200A	123131LSRL <input type="checkbox"/>	124131LSRL <input type="checkbox"/>	125131LSRL <input type="checkbox"/>
	0-5A/0-250A	123131LSRS <input type="checkbox"/>	124131LSRS <input type="checkbox"/>	125131LSRS <input type="checkbox"/>
	0-5A/0-300A	123131LSRX <input type="checkbox"/>	124131LSRX <input type="checkbox"/>	125131LSRX <input type="checkbox"/>
	0-5A/0-400A	123131LSSC <input type="checkbox"/>	124131LSSC <input type="checkbox"/>	125131LSSC <input type="checkbox"/>
	0-5A/0-500A	123131LSSF <input type="checkbox"/>	124131LSSF <input type="checkbox"/>	125131LSSF <input type="checkbox"/>
	0-5A/0-600A	123131LSSJ <input type="checkbox"/>	124131LSSJ <input type="checkbox"/>	125131LSSJ <input type="checkbox"/>
	0-5A/0-800A	123131LSSN <input type="checkbox"/>	124131LSSN <input type="checkbox"/>	125131LSSN <input type="checkbox"/>
	0-5A/0-1000A	123131LSSS <input type="checkbox"/>	124131LSSS <input type="checkbox"/>	125131LSSS <input type="checkbox"/>
0-5A/0-1200A	123131LSSV <input type="checkbox"/>	124131LSSV <input type="checkbox"/>	125131LSSV <input type="checkbox"/>	
0-5A/0-1500A	123131LSTC <input type="checkbox"/>	124131LSTC <input type="checkbox"/>	125131LSTC <input type="checkbox"/>	

**Notes:**

Replace  with the appropriate power supply code:

- 1=120VAC
- 2= 240VAC
- 3= 125VDC
- 4= 24VDC
- 5= 48VDC

1) For non-standard inputs and scales (or aux. power) select the closest rated input model from above and specify per example.  
**“Similar to model 123131LSLS  except...”**

**Input signal:** 0 - 5A AC

**Analog scale:** 0 - 1900, Scale color: white, letters + numerals: black, pointer: black

**Analog legend:** AC Amperes

**Digital scale:** 0 - 1900

**Digital sub-legend:** only required when digital scale is different value from analog.

**Auxiliary power:** 120VAC is standard; 240VAC, 24VDC, 48VDC and 125VDC are optional.

2) Non-standard models will be assigned a special 3 letter suffix at Yokogawa (ex: 123131LSLS/xxx)

# DUAL-VUE DIGITAL SWITCHBOARD METERS

# SWITCHBOARD DIGITAL

## HOW TO ORDER

Select Model and one Code from Code A and Code B

Example:

123011ABAB1

	Model	Note	Price
123	Red LED Digital Display		\$310.00
124	Green LED Display		\$310.00
125	Blue LED Display		\$310.00
Code A Input Type, Rating and Scale			
011ABAB	DCV, 0-50mV rating & scale		\$0.00
011AEAE	DCV, 0-100mV rating & scale		\$0.00
011AHAH	DCV, 0-200mV rating & scale		\$0.00
011MTMT	DCV, 0-10V rating & scale		\$0.00
011PKPK	DCV, 0-100V rating & scale		\$0.00
011PZPZ	DCV, 0-150V rating & scale		\$0.00
011RXRX	DCV, 0-300V rating & scale		\$0.00
011SJSJ	DCV, 0-600V rating & scale		\$0.00
012ABAB	DCV, 50-0-50mV rating & scale		\$0.00
012AEAE	DCV, 100-0-100mV rating & scale		\$0.00
012AHAH	DCV, 200-0-200mV rating & scale		\$0.00
012MTMT	DCV, 10-0-10V rating & scale		\$0.00
012PKPK	DCV, 100-0-100V rating & scale		\$0.00
012PZPZ	DCV, 150-0-150V rating & scale		\$0.00
012RXRX	DCV, 300-0-300V rating & scale		\$0.00
012SJSJ	DCV, 600-0-600V rating & scale		\$0.00
111EAEA	DCA, 0-200µA rating & scale		\$0.00
111EMEM	DCA, 0-500µA rating & scale		\$0.00
111FAFA	DCA, 0-1mA rating & scale		\$0.00
111GZGZ	DCA, 0-10mA rating & scale		\$0.00
111JRJR	DCA, 0-100mA rating & scale		\$0.00
111KMKM	DCA, 0-500mA rating & scale		\$0.00
111LALA	DCA, 0-1A rating & scale		\$0.00
112EAEA	DCA, 200-0-200µA rating & scale		\$0.00
112EMEM	DCA, 500-0-500µA rating & scale		\$0.00
112FAFA	DCA, 1-0-1mA rating & scale		\$0.00
112GZGZ	DCA, 10-0-10mA rating & scale		\$0.00
112JRJR	DCA, 100-0-100mA rating & scale		\$0.00
112KMKM	DCA, 500-0-500mA rating & scale		\$0.00
112LALA	DCA, 1-0-1A rating & scale		\$0.00
191FYFY	DCA, 1-5mA rating & scale		\$0.00
191HEHE	DCA, 4-20mA rating & scale		\$0.00
191HXHX	DCA, 10-50mA rating & scale		\$0.00
021PZPZ	ACV, 0-150V rating & scale		\$15.00
021RSRS	ACV, 0-250V rating & scale		\$15.00
021RXRX	ACV, 0-300V rating & scale		\$15.00
021SJSJ	ACV, 0-600V rating & scale		\$15.00
021PZRS	ACV transformer rated (150V), 0-150V rating/0-250V scale		\$15.00
021PZRX	ACV transformer rated (150V), 0-150V rating/0-300V scale		\$15.00
021PZSF	ACV transformer rated (150V), 0-150V rating/0-500V scale		\$15.00
021PZSJ	ACV transformer rated (150V), 0-150V rating/0-600V scale		\$15.00
021PZSM	ACV transformer rated (150V), 0-150V rating/0-750V scale		\$15.00
021PZTC	ACV transformer rated (150V), 0-150V rating/0-1500V scale		\$15.00
021PZVJ	ACV transformer rated (150V), 0-150V rating/0-3.00kV scale		\$15.00
021PZVT	ACV transformer rated (150V), 0-150V rating/0-5.00kV scale		\$15.00
021PZVV	ACV transformer rated (150V), 0-150V rating/0-5.25kV scale		\$15.00
021PZVX	ACV transformer rated (150V), 0-150V rating/0-6.00kV scale		\$15.00
021PZWJ	ACV transformer rated (150V), 0-150V rating/0-9.00kV scale		\$15.00
021PZWZ	ACV transformer rated (150V), 0-150V rating/0-15.00kV scale		\$15.00
021PZXE	ACV transformer rated (150V), 0-150V rating/0-18.00kV scale		\$15.00
021PZXU	ACV transformer rated (150V), 0-150V rating/0-45.0kV scale		\$15.00
021PZYR	ACV transformer rated (150V), 0-150V rating/0-150.0kV scale		\$15.00
021PZYU	ACV transformer rated (150V), 0-150V rating/0-200kV scale		\$15.00
021RSSJ	ACV transformer rated (250V), 0-250V rating/0-600V scale		\$15.00
131LALA	ACA, 0-1A rating and scale		\$15.00
131LSLS	ACA, 0-5A rating and scale		\$15.00
131LSMT	ACA transformer rated (5A), 0-5A rating, 0-10.00A scale		\$15.00
131LSND	ACA transformer rated (5A), 0-5A rating, 0-15.00A scale		\$15.00
131LSNG	ACA transformer rated (5A), 0-5A rating, 0-20.0A scale		\$15.00
131LSNJ	ACA transformer rated (5A), 0-5A rating, 0-25.0A scale		\$15.00

131LSNL	ACA transformer rated (5A), 0-5A rating, 0-30.0A scale	\$15.00
131LSNP	ACA transformer rated (5A), 0-5A rating, 0-40.0A scale	\$15.00
131LSNT	ACA transformer rated (5A), 0-5A rating, 0-50.0A scale	\$15.00
131LSPB	ACA transformer rated (5A), 0-5A rating, 0-75.0A scale	\$15.00
131LSPK	ACA transformer rated (5A), 0-5A rating, 0-100.0A scale	\$15.00
131LSPZ	ACA transformer rated (5A), 0-5A rating, 0-150.0A scale	\$15.00
131LSRL	ACA transformer rated (5A), 0-5A rating, 0-200A scale	\$15.00
131LSRS	ACA transformer rated (5A), 0-5A rating, 0-250A scale	\$15.00
131LSRX	ACA transformer rated (5A), 0-5A rating, 0-300A scale	\$15.00
131LSSC	ACA transformer rated (5A), 0-5A rating, 0-400A scale	\$15.00
131LSSF	ACA transformer rated (5A), 0-5A rating, 0-500A scale	\$15.00
131LSSJ	ACA transformer rated (5A), 0-5A rating, 0-600A scale	\$15.00
131LSSN	ACA transformer rated (5A), 0-5A rating, 0-800A scale	\$15.00
131LSSS	ACA transformer rated (5A), 0-5A rating, 0-1000A scale	\$15.00
131LSSV	ACA transformer rated (5A), 0-5A rating, 0-1200A scale	\$15.00
131LSTC	ACA transformer rated (5A), 0-5A rating, 0-1500A scale	\$15.00
Code B Power Supply Code		
1	120 VAC	\$0.00
2	240 VAC	\$0.00
3	125 VDC	\$35.00
4	24 VDC	\$25.00
5	48 VDC	\$25.00
Accessories		
M1106SY	blank white MOD scale	\$4.00
M1106WA	blank black MOD scale	\$4.00
tba	Custom white or black scale on meter	\$20.00
tba	Custom scale on meter with red Day-Glo or white pointer	\$40.00
<i>Yokogawa manufactures many other models of meters. Please visit our website <a href="http://www.us.yokogawa.com">www.us.yokogawa.com</a> and look under product meters. Or you can always contact us at the factory.</i>		