

# Acuvim II Series Intelligent Power Meter (Web Accessible)



Revenue Grade with DATA-LOGGING



ISO9001 Certified



## DESCRIPTION

The Acuvim II is a high-end multifunction power meter manufactured by Accuenergy. It is the ideal choice for monitoring and controlling of power distribution systems. Some of the features and electric power parameters available on the compact Acuvim II are:

- True-RMS Measuring Parameter
- ANSI C12.20(0.2 Class) and IEC 62053-22(0.2S Class)
- Power Quality Analysis
- Over/Under Limit Alarm
- Multi Communication Ports (Eg: Ethernet, RS485)
- Web Server and Email Sending
- Switch Status Monitoring
- Remote Switch Controlling

- Measure Individual Harmonics from 2<sup>nd</sup> to 63<sup>rd</sup>(Acuvim IIR,Acuvim IIE)
- Module Design
- Data-Logging
- TOU, 4 Tariffs, 12 Seasons, 14 Schedules

Acuvim II may be used as a data gathering device for an intelligent Power Distribution System or Plant Automation System. All monitored data is available via a digital RS485 communication port running Modbus®-RTU Protocol. Ethernet and Profibus DP communication are also options and with new wireless technologies and protocols currently under development, the applications for the Acuvim II meter are limitless.

## Acuvim II Series Meter

● Function; ○ Option; Blank NA

CATEGORY	ITEM	PARAMETERS	Acuvim II	Acuvim IIR	Acuvim IIE	
METERING	REAL TIME METERING	Phase Voltage	V1, V2, V3, Vlnavg	●	●	●
		Line Voltage	V12, V23, V31, Vllavg	●	●	●
		Current	I1, I2, I3, In, Iavg	●	●	●
		Power	P1, P2, P3, Psum	●	●	●
		Reactive Power	Q1, Q2, Q3, Qsum	●	●	●
		Apparent Power	S1, S2, S3, Ssum	●	●	●
		Power Factor	PF1, PF2, PF3, PF	●	●	●
		Frequency	F	●	●	●
		Load Features	Load Features	●	●	●
	Four Quadrant Powers	Four Quadrant Powers	●	●	●	
	ENERGY & DEMAND	Energy	Ep_imp, Ep_exp, Ep_total, Ep_net	●	●	●
		Reactive Energy	Eq_imp, Eq_exp, Eq_total, Eq_net	●	●	●
		Apparent Energy	Es	●	●	●
		Demand	Dmd_P, Dmd_Q, Dmd_S, Dmd_I1, Dmd_I2, Dmd_I3	●	●	●
	TOU	TIME OF USE	Energy/max demand	TOU, 4 Tariffs, 12 Seasons, 14 Schedules		
		DAYLIGHT SAVING TIME	Two formats adjust	Month/Day/Hour/Minute Month/Week/First few weeks/Hour/Minute		
MONITORING	POWER QUALITY	Voltage Unbalance Factor	U_unbl	●	●	●
		Current Unbalance Factor	I_unbl	●	●	●
		Voltage THD	THD_V1, THD_V2, THD_V3, THD_Vavg	●	●	●
		Current THD	THD_I1, THD_I2, THD_I, THD_Iavg	●	●	●
		Individual Harmonics	Harmonics 2 <sup>nd</sup> to 31 <sup>st</sup> (63 <sup>rd</sup> for Acuvim IIR, Acuvim IIE)	●	●	●
		Voltage Crest Factor	Crest Factor	●	●	●
		TIF	THFF	●	●	●
	Current K factor	K Factor	●	●	●	
	STATISTICS	MAX with Time Stamp MIN with Time Stamp	Each phase of V & I; Total of P, Q, S, PF & F; Demad of P, Q & S; Each phase THD of V & I; Unbalance factor of V & I	●	●	●
	OTHERS	ALARM	Over/Under Limit Alarm	V, I, P, Q, S, PF, V_THD & I_THD each phase and total or average; Unbalance factor of V & I; load type; Analog Input of each channel		
DATA LOGGING		Data Logging 1 Data Logging 2 Data Logging 3	F, V1/2/3/Iavg, V12/23/13/Iavg, I1/2/3/n/avg, P1/2/3/sum, Q1/2/3/sum, S1/2/3/sum, PF1/2/3, PF, U_unbl, I_unbl, Load Type, Ep_imp, Ep_exp, Ep_total, Ep_net, Eq_imp, Eq_exp, Eq_total, Eq_net, Es, THD_V1/2/3/avg, THD_I1/2/3/avg, Harmonics 2nd to 63rd, Crest Factor, THFF, K Factor, sequence and phase angles, DI counter, AI, AO, Dmd P/Q/S, Dmd I1/2/3	●	●	●
		COMMUNICATION	RS485 Port, Half Duplex, Optical Isolated	●	●	●
		TIME	Real Time Clock	Year, Month, Date, Hour, Minute, Second	●	●
OPTION MODULE	I/O OPTION	Switch Status (DI)	Digital Input (Wet)	○	○	○
		Power Supply for DI	24 Vdc	○	○	○
		Relay Output (RO)	NO, Form A	○	○	○
		Digital Output (DO)	Photo-MOS	○	○	○
		Pulse Output (PO)	By using DO	○	○	○
		Analog Input (AI)	0(4)~20mA, 0(1)~5V	○	○	○
	COMMUNICATION	Analog Output (AO)	0(4)~20mA, 0(1)~5V	○	○	○
		Ethernet	10M/100M, Modbus-TCP, HTTP Webpage, Email	○	○	○
		Profibus-DP	Profibus-DP/V0	○	○	○
		RS485 Module	Additional Modbus RTU	○	○	○

## I/O Module (Option)

Module Name	Digital Input (DI)	Power Supply For DI (24V)	Digital Output (DO)	Relay Output (RO)	Analog Input (AI)	Analog Output (AO)
AXM-IO1	6	1		2		
AXM-IO2	4		2			2
AXM-IO3	4			2	2	

## Communication Module (Option)

Module Name	Spec
AXM-NET	10M/100M self-adaptable, RJ45 Jack HTTP Web page browser Modbus®-TCP/IP Protocol Email sending on time interval or on event
AXM-PROFI	Profibus-DP/V0 Input Byte (typical): 32 byte Profibus slave mode, baud rate self-adaptable up to 12M Output Byte (typical): 32 Byte EN50170 vol.2 compliance
AXM-RS485	Modbus®-RTU Protocol

## APPLICATIONS

- Metering of distribution feeders, transformers, generators, capacitor banks and motors
- Medium and low voltage systems
- Commercial, industrial, utility
- Power quality analysis
- Data Logging

## FEATURES

### Metering

- Voltage V1, V2, V3, Vlnavg, V12, V23, V31, Vllavg
- Current I1, I2, I3, In, Iavg
- Power P1, P2, P3, Psum
- Reactive Power Q1, Q2, Q3, Qsum
- Apparent Power S1, S2, S3, Ssum
- Frequency F
- Power Factor PF1, PF2, PF3, PF
- Energy Ep\_imp, Ep\_exp, Ep\_total, Ep\_net
- Reactive Energy Eq\_imp, Eq\_exp, Eq\_total, Eq\_net
- Apparent Energy Es
- Demand Dmd\_P, Dmd\_Q, Dmd\_S, Dmd\_I1, Dmd\_I2, Dmd\_I3
- Load Features
- Four Quadrant Powers

### Monitoring

- Power Quality
- Voltage Harmonics 2<sup>nd</sup> to 63<sup>rd</sup> and THD
- Current Harmonics 2<sup>nd</sup> to 63<sup>rd</sup> and THD
- Voltage Crest Factor
- THFF (TIF)
- Current K Factor
- Voltage Unbalance Factor U\_unbl
- Current Unbalance Factor I\_unbl
- Max/Min Statistics with Time Stamps

### Alarms

Limits can be set for up to 16 indicated parameters and can be set with a specified time interval. If any input of the indicated

parameters is over or under its setting limit and persists over the specified time interval, the event will be recorded with time stamps and trigger the Alarm DO output. The 16 indicated parameters can be selected from any of the 51 parameters available.

### I/O option module

The E-module® technique was adopted for its flexibility and easy expansion of the I/O function of Acuvim II. A maximum of 3 modules can be used for one meter. Digital input, digital output, pulse output, relay output, analog input and analog output are provided by I/O option module.

### Communication

RS485, Industry standard Modbus® protocol  
Module Option: Ethernet module, Profibus-DP module  
Dual RS485 communication ports

### Display

Clear and large character LCD Screen display with white back light  
Wide environmental temperature endurance  
Display Load percentage, 4 quadrants power and load nature

### Outline

Small Size 96×96 DIN or 4" ANSI Round

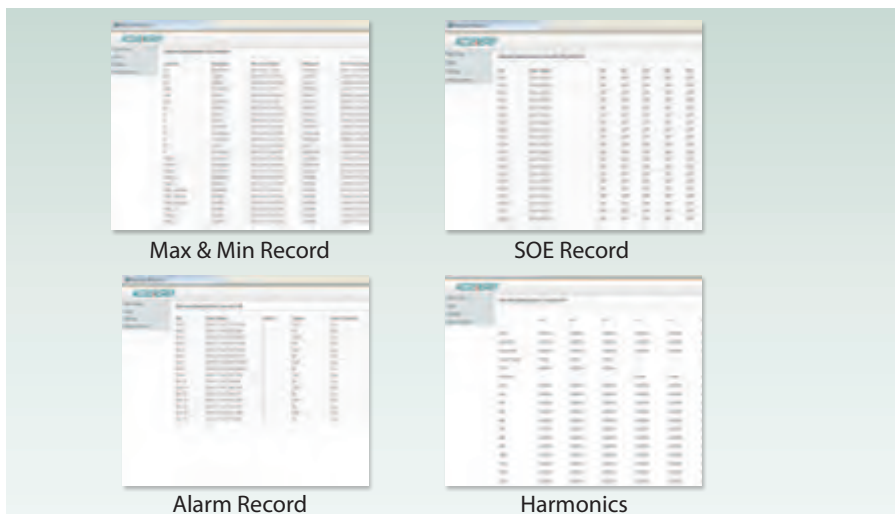
### Data\_logging

The Acuvim IIR, Acuvim IIE, model offers 4MB of onboard data logging memory to be used for historical trending. There are 3 assignable historical logs where the majority of the metering parameters can be recorded. A real time clock allows for any logged events to be accurately time stamped.

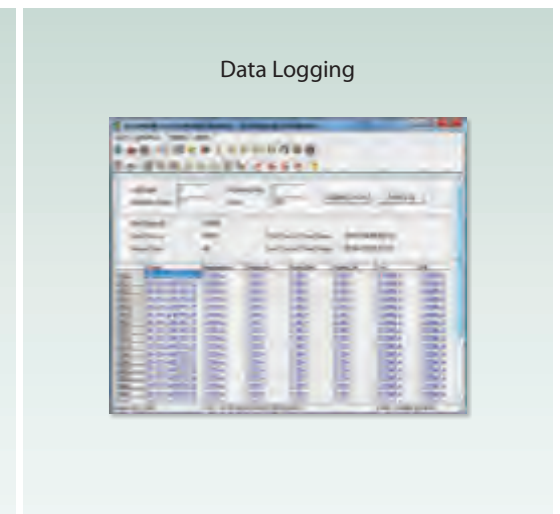
### Time of use

User can assign up to 4 different tariffs (sharp, peak, valley and normal) to different time periods within a day according to the billing requirements. The meter will calculate and accumulate energy to different tariffs according to the meter's internal clock timing and TOU settings.

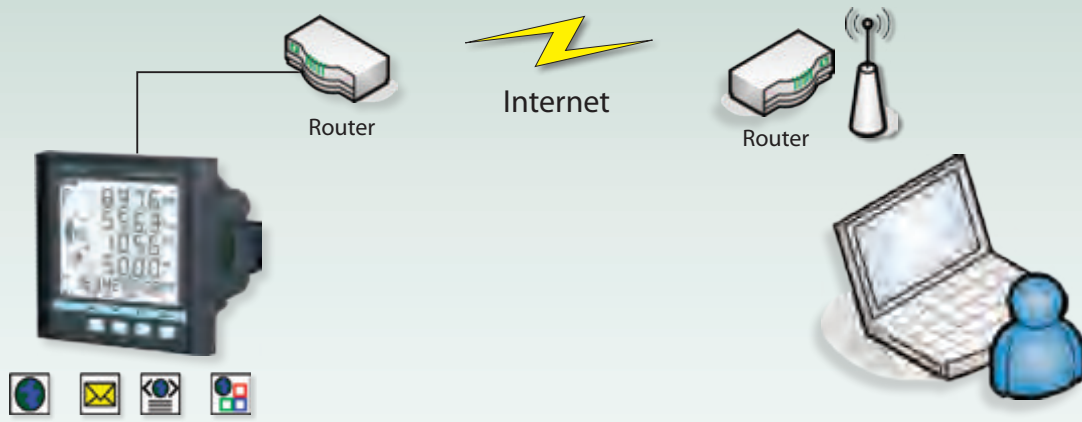
## TYPICAL WEB PAGE FROM Acuvim II SERIES



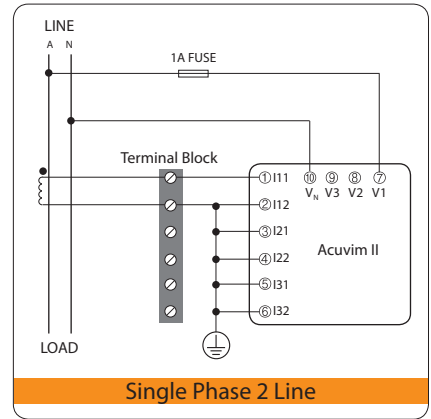
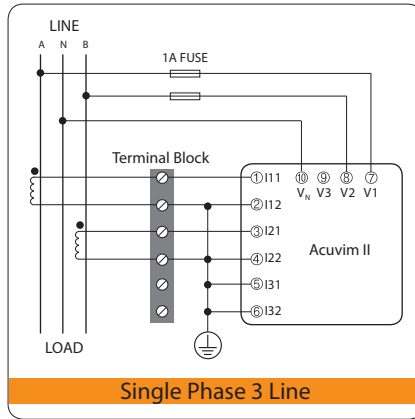
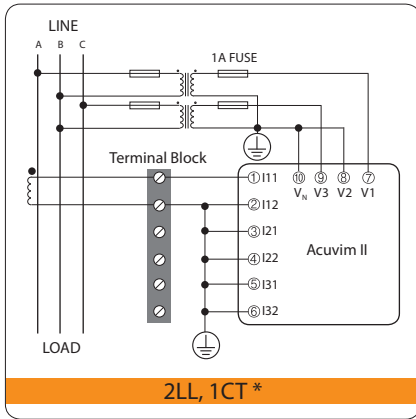
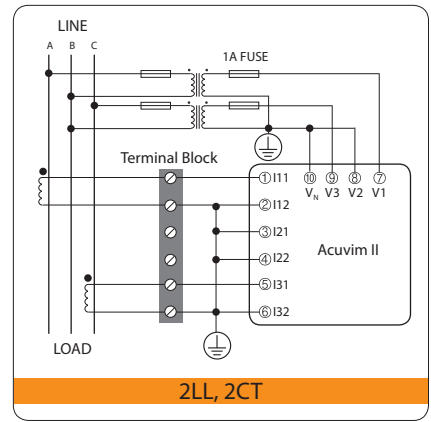
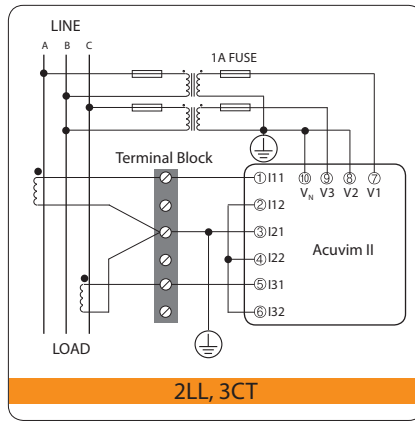
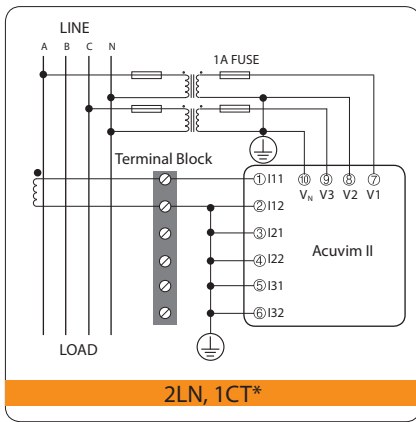
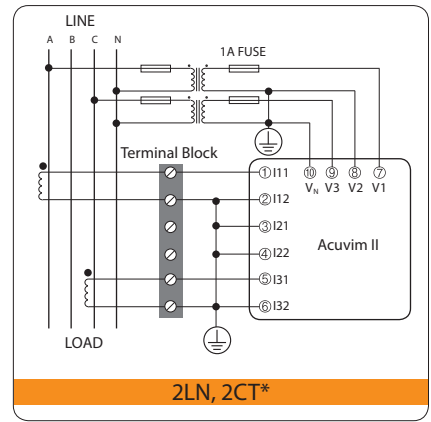
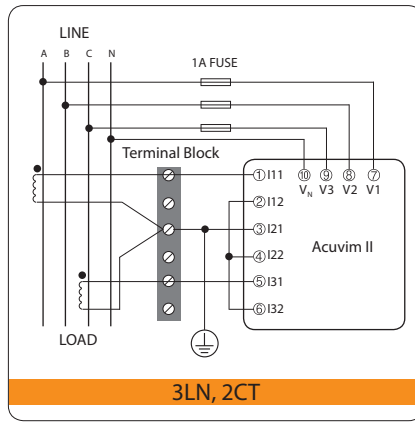
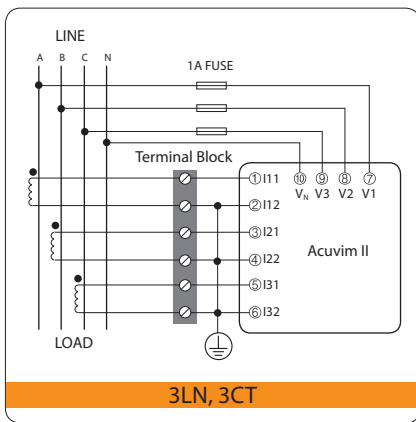
## DATA LOGGING FROM Acuvim II SERIES



# Acuvim II as Web Server



## TYPICAL WIRING



**Note:** "\*" wiring diagram not applicable to Acuvim IIR, Acuvim IIE

## SPECIFICATIONS

### METERING

Parameters	Accuracy		Resolution	Range	
	Acuvim II	Acuvim IIR Acuvim IIE			
Voltage	0.2%	0.2%	0.1V	20V~1000kV	
Current	0.2%	0.2%	0.1mA	5mA~50000A	
Power	0.5%	0.2%	1W	-9999MW~9999MW	
Reactive Power	0.5%	0.2%	1var	-9999MVar~9999Mvar	
Apparent Power	0.5%	0.2%	1VA	0~9999MVA	
Power Demand	0.5%	0.2%	1W	-9999MW~9999MW	
Reactive Power Demand	0.5%	0.2%	1var	-9999MVar~9999Mvar	
Apparent Power Demand	0.5%	0.2%	1VA	0~9999MVA	
Power Factor	0.5%	0.2%	0.001	-1.000~1.000	
Frequency	0.2%	0.2%	0.01Hz	45.00~65.00Hz	
Energy	Primary	0.5%	0.2%	0.1kWh	0-99999999.9kWh
	Secondary	0.5%	0.2%	0.001kWh	0-999999.999kWh
Reactive Energy	Primary	0.5%	0.2%	0.1kvarh	0-99999999.9kvarh
	Secondary	0.5%	0.2%	0.001kvarh	0-999999.999kvarh
Apparent Energy	Primary	0.5%	0.2%	0.1kVAh	0-99999999.9kVAh
	Secondary	0.5%	0.2%	0.001kVAh	0-999999.999kVAh
Harmonics	2.0%	2.0%	0.01%	0.0%~100.0%	
Phase Angle	2.0%	2.0%	0.1°	0.0°~359.9°	
Unbalance Factor	2.0%	2.0%	0.1%	0.0%~100.0%	
Running Time			0.01h	0~9999999.99h	

### INPUT

#### Current Inputs (Each Channel)

Nominal Current	5A /1A
Metering Range	0~10A ac
Withstand	20Arms continuous, 100Arms for 1 second, non-recurring
Burden	0.05VA (typical) @ 5Arms
Pickup Current	0.1% of nominal
Accuracy	0.2% full scale

#### Voltage Inputs (Each Channel)

Nominal Full Scale	400Vac L-N, 690Vac L-L ( $\pm 20\%$ )
Withstand	1500Vac continuous 2500Vac, 50/60Hz for 1 minute
Input Impedance	2Mohm per phase
Metering Frequency	45Hz~65Hz
Pickup Voltage	10Vac (30Vac for Acuvim IIR, Acuvim IIE)
Accuracy	0.2% full scale

#### Energy Accuracy (Acuvim IIR, Acuvim IIE)

Active (according to IEC 62053-22)	Class 0.2S
(according to ANSI C12.20)	Class 0.2
Reactive (according to IEC 62053-23)	Class 2

#### Harmonic Resolution

Metered Value	Acuvim II: 31st harmonic Acuvim IIR, Acuvim IIE: 63rd harmonic
---------------	---

### COMMUNICATION

#### RS-485 (Standard)

MODBUS RTU Protocol
2-wire connection
Up to 38400 baud rate

#### Ethernet (Optional)

10M/100M BaseT
MODBUS® TCP/IP Protocol
Data Browsing through HTTP
Sending e-mail automatically

#### PROFI-BUS (Optional)

PROFIBUS-DP/V0 Protocol
Work as PROFIBUS slave, baud rate adaptive, up to 12M
Typical input bytes: 32, typical output bytes: 32
PROFIBUS standard according to EN 50170 vol.2

### CONTROL POWER

Universal	AC or DC
<b>AC/DC Control Power</b>	
Operating Range	100~415Vac, 50/60Hz; 100~300Vdc
Burden	5W
Frequency	50/60Hz
Withstand	3250Vac, 50/60Hz for 1 minute
Installation Category III (Distribution)	
<b>Low Voltage DC Control Power (Optional)</b>	
Operating Range	20~60Vdc
Burden	5W

### I/O OPTION

#### Digital Input

Input Voltage Range	20~220Vac/dc
Input Current (Max)	2mA
Start Voltage	15V
Stop Voltage	5V
Pulse Frequency (Max)	100Hz, 50% Duty Ratio (5ms ON and 5ms OFF)
SOE Resolution	2ms

#### Digital Output (DO) (Photo-MOS)

Voltage Range	0~250Vac/dc
Load Current	100mA (Max)
Output Frequency	25Hz, 50% Duty Ratio (20ms ON, 20ms OFF)
Isolation Voltage	2500Vac

#### Relay Output (RO)

Switching Voltage (Max)	250Vac, 30Vdc
Load Current	5A(R), 2A(L)
Set Time	10ms (Max)
Contact Resistance	30m $\Omega$ (Max)
Isolation Voltage	3000Vac
Mechanical Life	1.5x10 <sup>7</sup>

#### Analog Output (AO)

Output Range	0~5V/1~5V, 0~20mA/4~20mA (Optional)
Accuracy	0.5%
Temperature Drift	50ppm/°C typical
Isolation Voltage	500Vdc
Open Circuit Voltage	15V

#### Analog Input (AI)

Input Range	0~5V/1~5V, 0~20mA/4~20mA (Optional)
Accuracy	0.2%
Temperature Drift	50ppm/°C typical
Isolation Voltage	500Vdc

#### Power Supply for DI (24Vdc)

Output Voltage	24Vdc
Output Current	42mA
Load (Max)	21 DI's

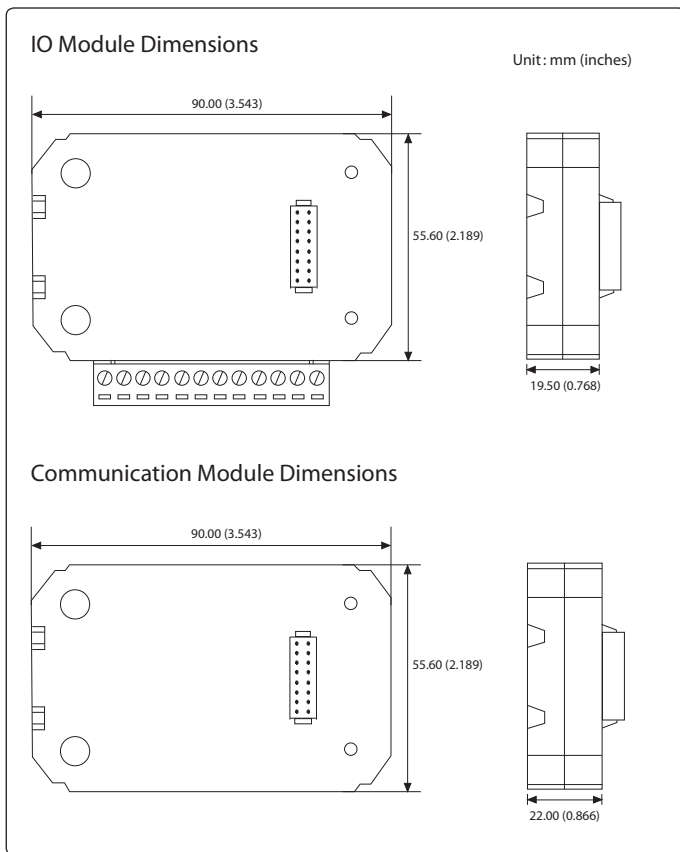
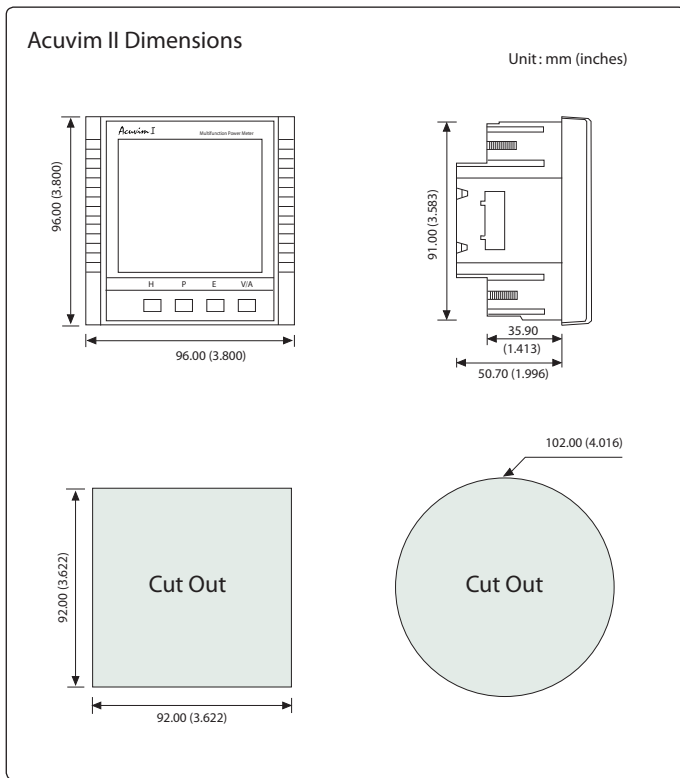
### OPERATING ENVIRONMENT

Operation Temperature	-25°C to 70°C
Storage Temperature	-40°C to 85°C
Relative Humidity	5% to 95% non-condensing
Pollution Degree	2

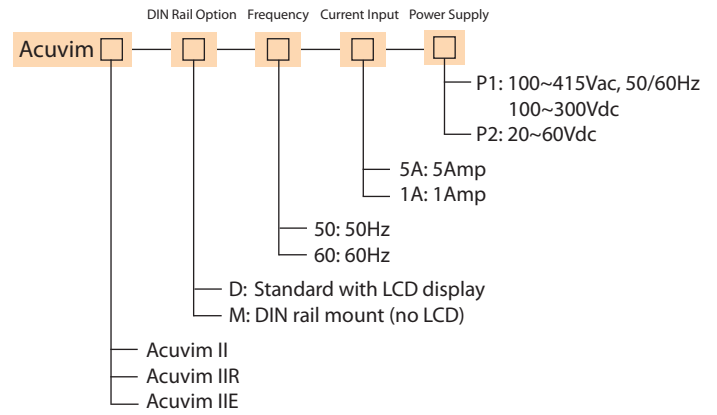
### STANDARD COMPLIANCE

Measurement Standard	IEC 62053-22; ANSI C12.20
Environmental Standard	IEC 60068-2
Safety Standard	IEC 61010-1, UL 61010-1
EMC Standard	IEC 61000-4/-2-3-4-5-6-8-11, CISPR 22
Outlines Standard	DIN 43700, ANSI C39.1

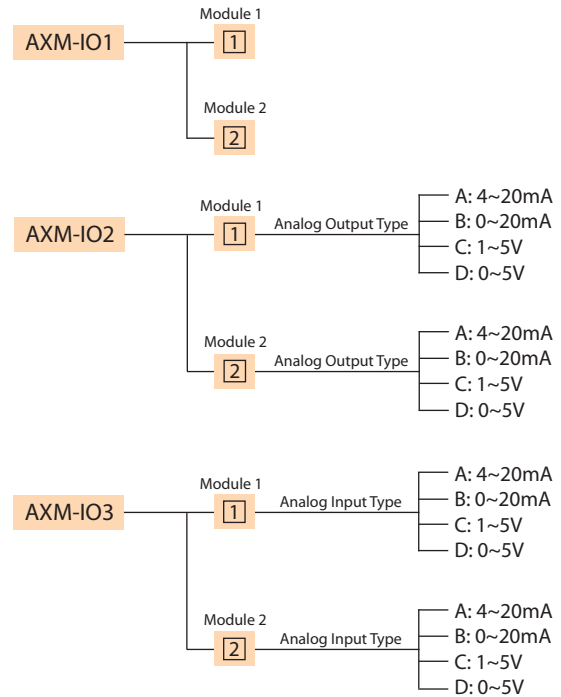
## DIMENSIONS



## ORDERING INFORMATION

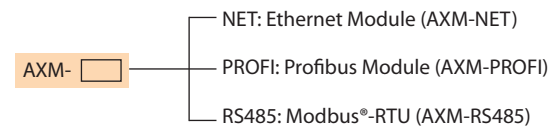


## I/O Option module



IO Module Ordering Example: AXM-IO2-1A

## Communication Option Module



Note: 1. No more than 2 of the same I/O modules may be attached to the meter (example: Two AXM-IO2). The same two IO modules must be a different component number.

2. A maximum of 3 modules may be attached to the meter. If a communication module is used (example: AXM-NET), it must be installed on the back of the meter FIRST before the other module are attached.



Accuenergy Corporation

Los Angeles-Toronto-Beijing

North America Toll Free: 1-877-721-8908

Web: www.accuenergy.com

Email: marketing@accuenergy.com

Revision Date: Jul., 2010

Document #1040E1104