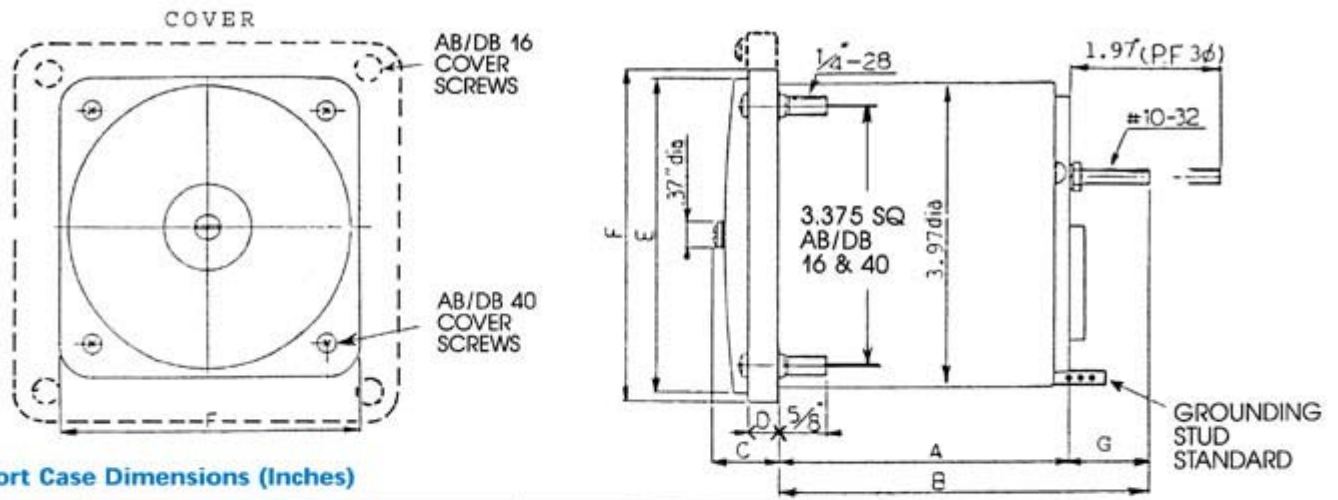


## Dimensions and Panel Drilling For AB/DB 16 & AB/DB 40 (Metal Case)

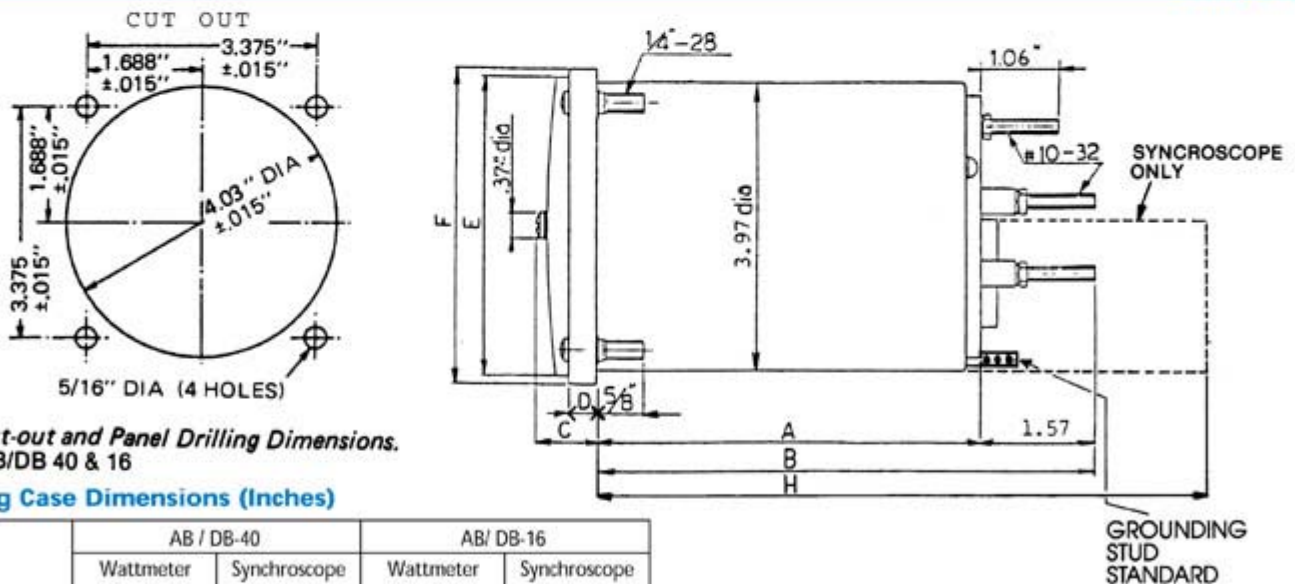
Short Case



Short Case Dimensions (Inches)

	AB / DB-40			AB/ DB-16	
	AC V/A—DC V/A Frequency Temperature Tachometer	AC V/A—DC V/A Extra Short Case	Power Factor 1Φ (3Φ3w/4w)	AC V/A—DC V/A Frequency Temperature Tachometer	Power Factor 1Φ (3Φ3w/4w)
A	3.79	2.89	3.79	3.75	3.75
B	4.85	3.41	4.85 (5.76)	4.81	4.81 (5.72)
C	0.86	0.86	0.86	0.88	0.88
D	0.32	0.32	0.32	0.38	0.38
E	4.09	4.09	4.09	8.20	8.20
F	4.33	4.33	4.33	8.69	8.69
G	1.06	0.52	1.06	1.06	1.06

Long Case



Cut-out and Panel Drilling Dimensions.  
AB/DB 40 & 16

Long Case Dimensions (Inches)

	AB / DB-40		AB/ DB-16	
	Wattmeter Varmeter*	Syncroscope	Wattmeter Varmeter	Syncroscope
A	5.22	5.22	5.19	5.19
B	6.79	6.29	6.76	6.25
C	0.86	0.86	0.88	0.88
D	0.32	0.32	0.38	0.38
E	4.09	4.09	8.20	8.20
F	4.33	4.33	8.69	8.69
H	—	8.06	—	8.03

\*Short case dimensions in first column above apply to varmeter for use with external phase shifters (10332—, 10377—, 10334—, 10379—.)