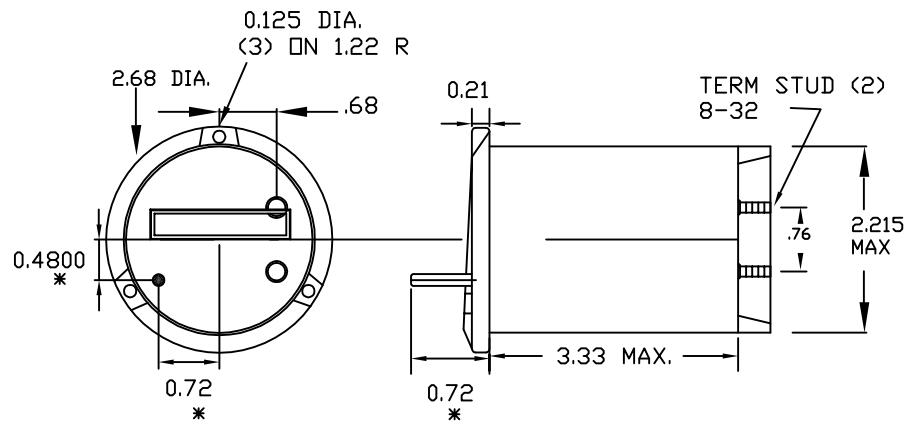
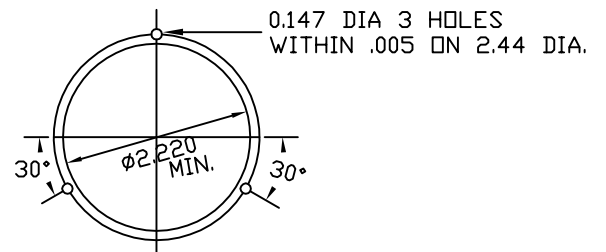


FIG. 23A. 2 1/2 TYPE 240 ROUND CASE
REV 6/18/03 (DWG 3151K58)



* DENOTES RESET TYPE ONLY.



PANEL DRILLING