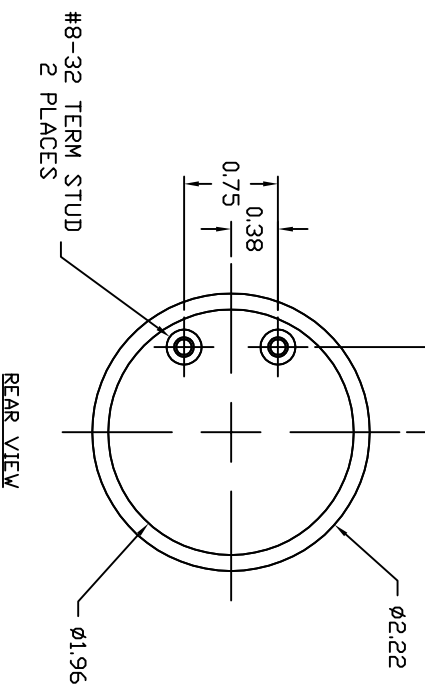
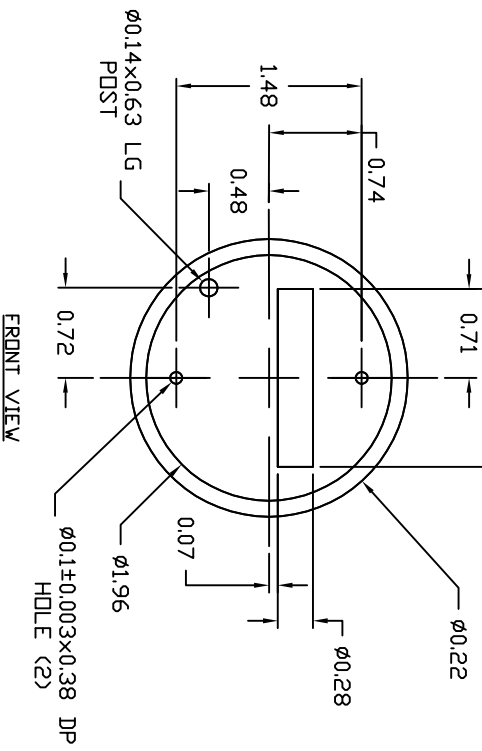
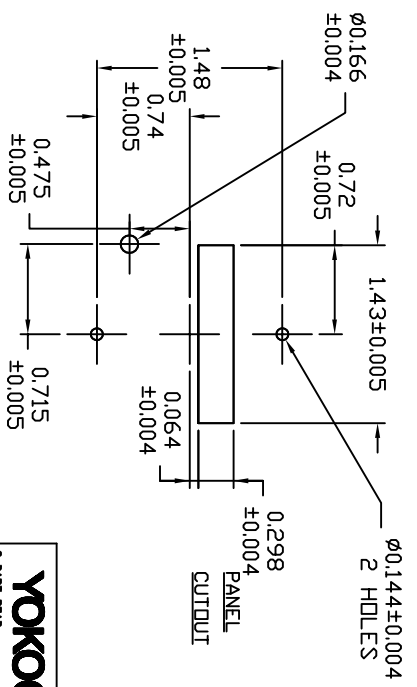
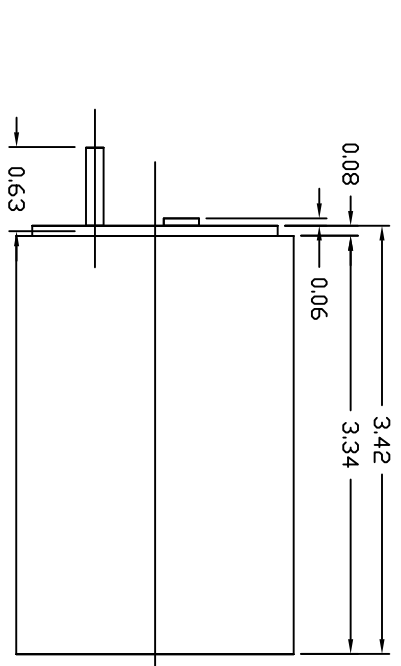


FIG. 21. TYPE 240 BACK-OF-PANEL TIME METER
REV 4/2/03



*THESE DIMENSIONS FOR RESET MODELS ONLY



REV.	ECD	REV BY	DATE	ENGINEER	DATE	APPROVED	DATE
2	F22-TIMTR-010	HMC/TAGGART	040203				

INDEX	SHEET	1	2	3	4	5	6	7	8	9	10	11	12	13	14
REVISIONS	REVISION	2													
FINISH	REF														
MATERIAL	FIRST USED														
SURFACE	DRAWN BY														
	HMC/TAGGART														

YOKOGAWA
2 DART ROAD
NEWMAN, GEORGIA 30665

TITLE: TYPE 240 METER
DRAWING NO: 3151K34
SCALE: 1:1
SHEET: 1 OF 1